

WATERPROOF LASER LED GARDEN LIGHT

CONTROLLED BY RF REMOTE
7,000 HOUR OPERATION

Introductory Price

\$43.45

General Features:

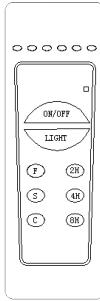
- High-power laser diodes, high brightness, beam non-divergent.
- >1000 light points, projection area is up to 20m×20m.
- 433M high sensitivity wireless remote controller.
- Aluminum shell, better heat dissipation.
- Easy installation and operation.
- IP 65 rated.

Applications:

Outdoor garden, water surface. House, building, public place. Christmas and other holiday decoration.

Operation

1. ON/OFF :Power switch, Long press it for 6s for pairing. (Default mode: green and red light keep on for 30s simultaneously, then flicker 20s, then single red light flickers 10s, single green light flickers 10s, red and green light flicker alternatively 10s; then repeat the cycle.)
2. LIGHT :Single red light, single green light, both red & green light
3. F :Flash mode
4. S :Motor speed control: stop, slow, fast
5. C :Cancel timing turning off and periodic turning on
6. 2H :Automatically turn off after working 2 hours
7. 4H :Automatically turn off after working 4 hours
8. 8H :Automatically turn off after working 8 hours
9. **Remark:** If power-on delay setted up, will keep the existing setting, delay power-on after 24h and work periodically.



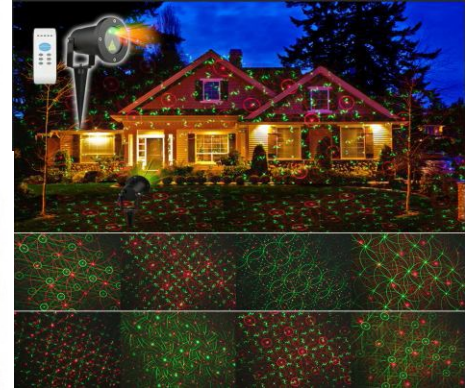
Remarks:

1. Please install it under instruction of professional electrician in case of danger.
2. Please cut off the power immediately if any abnormal work.
3. Please do some lighting protection to the power supply input port.
4. Please make sure steady input voltage.

photonX[®] LED



8 in 1 Patterns

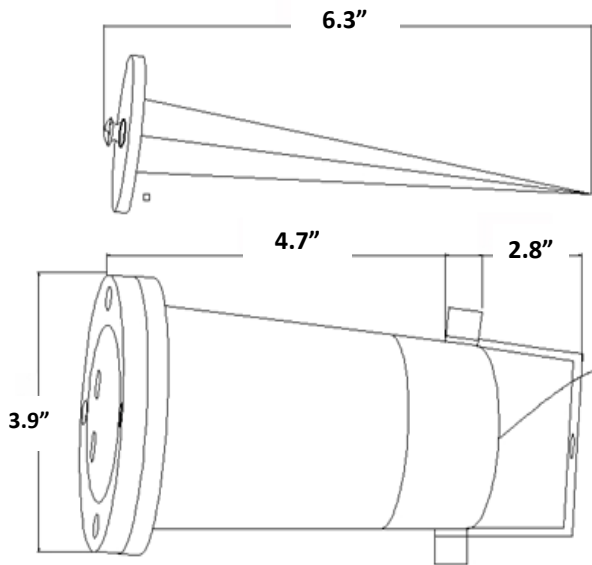


Model #	PGL12LEDMV-RG
Power	Max Power 12W
Input Current	100-240V
Output Voltage	≤0.07A/110VAC ≤0.03/230VAC
Output Current	12V
Project Patterns	8 in 1
Power Factor	≥90%
Laser Classification/Power	PF≥0.85
Laser Wavelength	Class II/less than 1mw single beam
Laser Diode Life	532nm (Green) / 650nm (Red)
Power Consumption	About 7000 hours (at 4 hours per day)
Operating Temperature	Up to 5 watts @ 65°F – 90°F
Work Temperature	Indoor / Outdoor : -15° F to 90°F
Remote Controller Distance	-25°C ~ +40°C
Remote Controller Frequency	>15m
Projection Coverage	433MHz
IP Grade	25 ft. x 25 ft.
Materials	IP65
Finish	Die-cast aluminum
Mounting	Ground Stake



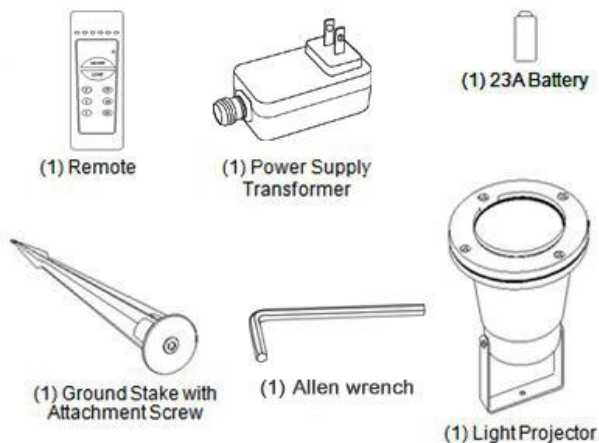
Packing Information

L	W	H
9.65"	6.30"	5.12"
Units/Ctn		Weight/Ctn
12 pcs.		26.20 lbs,



Packing Contents

- (1) Laser Lamp Body, (1) RF Remote-Controller,
- (1) Adaptor, (1) Metal Bracket, (1) User's Manual,
- (1) Allen Wrench



Installation Instructions

Firstly, install a 23A battery in the remote controller, then press any button, the red LED will work on if installed correctly. If the LED is not work, please check and make sure battery installed correctly.

