

LED



photonX[®]

CORN STYLE LED BULB SERIES (MEDIUM BASE) 50,000 HOUR OPERATION HIGH LUMEN ENERGY EFFICIENT

Features and Applications:

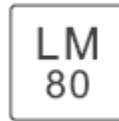
- Pure Aluminum 1070 for better heat dissipation
- Driver is sealed with thermal paste.
- Lower working temperature and waterproof (IP64 Rated for Wet locations).
- Transparent PC Cover to Protect LED
- Flame Retardant Material
- Replaces HPS, MH, HQ, and CFL Lamps
- Applicable in Enclosed Fixtures

Note: Make Sure To Remove Or Bypass The Electronic Ballast In The Fixture Before Install The Led Corn Bulb.

Applications:

Designed for energy saving for the following applications and more:

- Street lighting
- Warehouses
- Garages
- Gardens
- Hotels
- Hospitals



Model #:	12LEDMV-CB/50/MED	20LEDMV-CB/50/MED
Power Consumption:	12W	20W
Beam Angle:	360°	360°
Input voltage:	100-277V	100-277V
Frequency:	50/60 Hz	50/60 Hz
LED Engine:	Epistar 2835	Epistar 2835
Base:	E26	E26
Dimmable:	No	No
Power Factor:	>0.9	>0.9
Efficiency:	150 lpw	150 lpw
CRI:	>0.8	>0.8
Initial Lumens:	1800 lm	3000 lm
CCT:	5000K *	5000K *
Operating Temp:	-20°C ~ 45°C	-20°C ~ 45°C
Life:	>50,000 hrs	>50,000 hrs
Warranty:	5 years	5 years

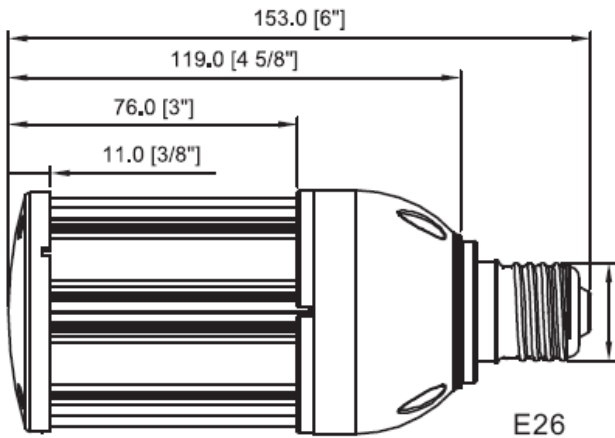
* Also available in color temperatures 3000K and 4000K.

Model Number	Units/Ctn	Weight/Ctn	Cube/Ctn
12LEDMV-CB/50/MED	16 pcs.	11.3 lbs.	0.7 cft.
20LEDMV-CB/50/MED	16 pcs.	11.3 lbs.	0.8 cft.

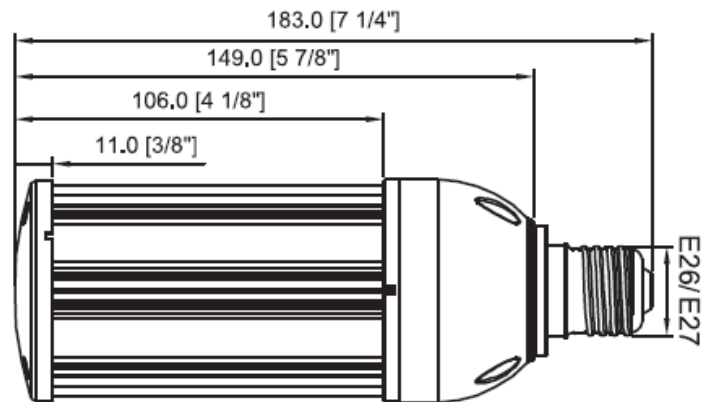
CORN STYLE LED BULB SERIES (MEDIUM BASE)



Product Dimensions

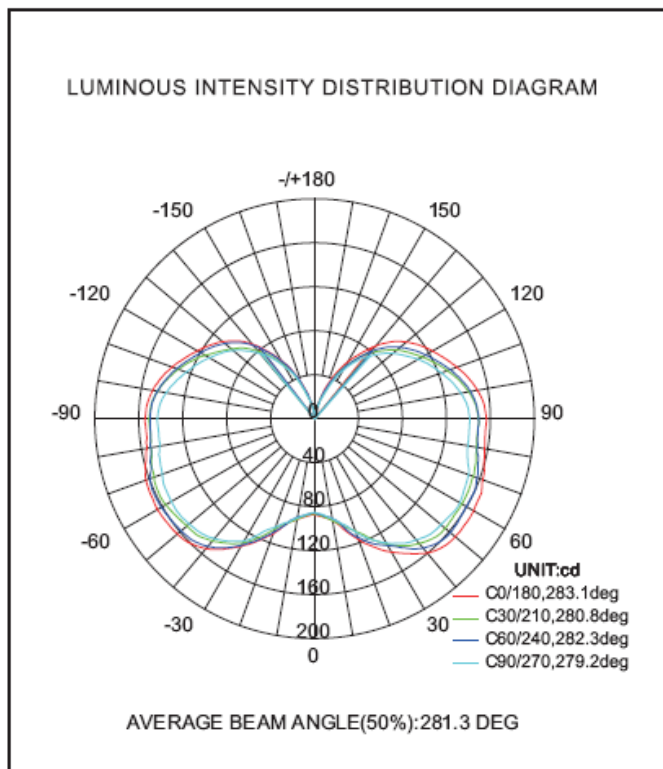


12W

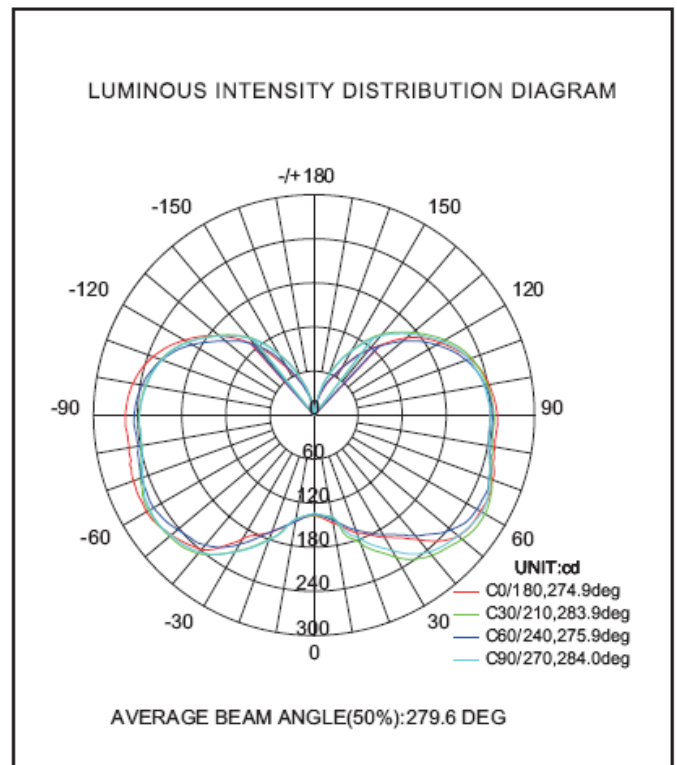


20W

Luminous Intensity Distribution Diagram



12W



20W