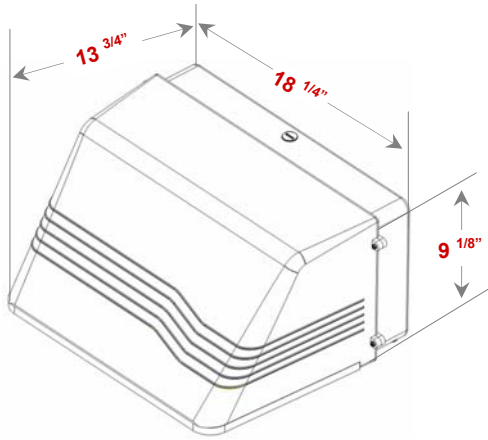




WALL PACK FULL CUTOFF (WIRED) 400W



CONSTRUCTION

- Meets Local "Dark Sky" Requirements
- Excellent for use as an up-light
- Tempered glass Lens & Die Cast Housing
- Gasket & Chromate Conversion Coating
- Textured Bronze Finish
- Aluminum Reflector
- Porcelain Mogul Socket & Bracket
- Lamp & Ballast Included

APPLICATION

- Ideal for Security and Perimeter Lighting
- For warehouses, Office Buildings, and Parking Areas
- Commercial, Industrial, and Institutional Lighting

ELECTRICAL CHARACTERISTICS

Model #	Voltage	Wattage	Hertz	Lamp Type	Ballast Type
JWPC250HPSQV-PK	Quad	250W	60Hz	HPS	Reactor-NPF
JWPC400HPSQV-PK	Quad	400W	60Hz	HPS	Reactor-NPF
JWPC250MHQV-PK	Quad	250W	60Hz	MH	CWA-HPF
JWPC400MHQV-PK	Quad	400W	60Hz	MH	CWA-HPF

PHYSICAL CHARACTERISTICS

Width	Height	Depth
18 1/4"	9 1/8"	13 3/4"