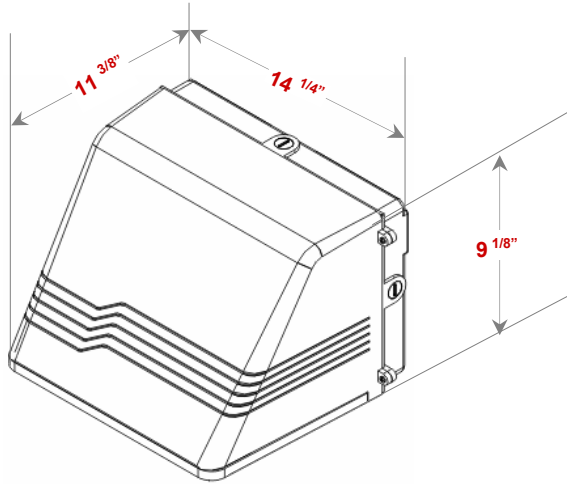




# WALL PACK FULL CUTOFF (WIRED) 175W



## CONSTRUCTION

- Meets Local "Dark Sky" Requirements
- Excellent for use as an up-light
- Tempered glass Lens & Die Cast Housing
- Gasket & Chromate Conversion Coating
- Textured Bronze Finish
- Aluminum Reflector
- Porcelain Mogul Socket & Bracket
- Lamp & Ballast Included

## APPLICATION

- Ideal for Security and Perimeter Lighting
- For warehouses, Office Buildings, and Parking Areas
- Commercial, Industrial, and Institutional Lighting

## ELECTRICAL CHARACTERISTICS

Model #	Voltage	Wattage	Hertz	Lamp Type	Ballast Type
<i>JWPC70HPS120-PK</i>	120V	70W	60Hz	HPS	Reactor-NPF
<i>JWPC100HPS120-PK</i>	120V	100W	60Hz	HPS	Reactor-NPF
<i>JWPC150HPS120-PK</i>	120V	150W	60Hz	HPS	Reactor-NPF
<i>JWPC70MH120-PK</i>	120V	70W	60Hz	MH	HX-HPF
<i>JWPC100MHQV-PK</i>	Quad	100W	60Hz	MH	HX-HPF
<i>JWPC150MHQV-PK</i>	Quad	150W	60Hz	MH	HX-HPF
<i>JWPC175MHQV-PK</i>	Quad	175W	60Hz	MH	CWA-HPF

## PHYSICAL CHARACTERISTICS

Width	Height	Depth
14 1/4"	9 1/8"	11 3/8"