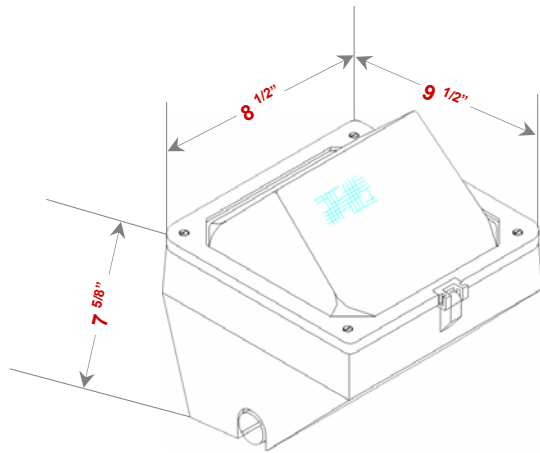




# SMALL WALL PACK (WIRED) GLASS LENS



## CONSTRUCTION

- Die Cast Bronze Housing
- Heat Resistant Borosilicate Glass Reflector
- Stainless Steel Screws and Silicone Gasketing
- Includes porcelain medium base socket

## APPLICATIONS

- Ideal for Security and Perimeter Lighting
- For Warehouse, Schools, Tunnels, and Shopping Complexes

## ELECTRICAL CHARACTERISTICS

Model #	Voltage	Wattage	Hertz	Lamp Type	Ballast
JWP35HPS120-PK	120V	35W	60Hz	HPS	REACTOR-NPF
JWP50HPS120-PK	120V	50W	60Hz	HPS	REACTOR-NPF
JWP70HPS120-PK	120V	70W	60Hz	HPS	REACTOR-NPF
JWP100HPS120-PK	120V	100W	60Hz	HPS	REACTOR-NPF
JWP150HPS120-PK	120V	150W	60Hz	HPS	REACTOR-NPF
JWP50MHQV-PK	Quad	50W	60Hz	MH	HX-HPF
JWP70MHQV-PK	Quad	70W	60Hz	MH	HX-HPF
JWP100MHQV-PK	Quad	100W	60Hz	MH	HX-HPF
JWP50HPS220/50-PK	120/220/240V	50W	50Hz	HPS	REACTOR-NPF
JWP70HPS220/50-PK	120/220/240V	70W	50Hz	HPS	REACTOR-NPF
JWP100HPS220/50-PK	120/220/240V	100W	50Hz	HPS	REACTOR-NPF
JWP150HPS220/50-PK	120/220/240V	150W	50Hz	HPS	REACTOR-NPF
JWP70MH220/50-PK	120/220/240V	70W	50Hz	MH	HX-HPF
JWP100MH220/50-PK	120/220/240V	100W	50Hz	MH	HX-HPF

## PRODUCT DIMENSIONS

Width

8 1/2"

Height

9 1/2"

Depth

7 5/8"