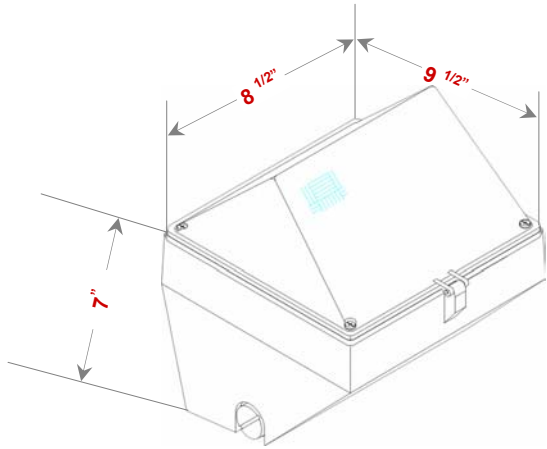




# SMALL HID WALL PACK (WIRED) POLYCARBONATE LENS



## CONSTRUCTION:

- Die Cast Bronze Housing
- Molded Clear Polycarbonate Prismatic Lens
- Stainless Steel Screws and Silicone Gasketing
- Includes porcelain medium base socket
- Includes Ballast & Lamp as shown

## APPLICATIONS:

- Ideal for Security and Perimeter Lighting
- For Warehouse, Schools, Tunnels, and Shopping Complexes
- Commercial, Industrial, and Institutional Lighting

## ELECTRICAL CHARACTERISTICS

Model #	Voltage	Wattage	Hertz	Lamp Type	Ballast Type
<b>JWP35HPS120PC-PK</b>	120V	35W	60Hz	HPS	REACTOR-NPF
<b>JWP50HPS120PC-PK</b>	120V	50W	60Hz	HPS	REACTOR-NPF
<b>JWP70HPS120PC-PK</b>	120V	70W	60Hz	HPS	REACTOR-NPF
<b>JWP100HPS120PC-PK</b>	120V	100W	60Hz	HPS	REACTOR-NPF
<b>JWP35MHQVPC-PK</b>	Quad	35W	60Hz	MH	HX-HPF
<b>JWP50MHQVPC-PK</b>	Quad	50W	60Hz	MH	HX-HPF
<b>JWP70MHQVPC-PK</b>	Quad	70W	60Hz	MH	HX-HPF
<b>JWP100MHQVPC-PK</b>	Quad	100W	60Hz	MH	HX-HPF
<b>JWP50HPS220/50PC-PK</b>	120/220/240V	50W	50Hz	HPS	REACTOR-NPF
<b>JWP70HPS220/50PC-PK</b>	120/220/240V	70W	50Hz	HPS	REACTOR-NPF
<b>JWP100HPS220/50PC-PK</b>	120/220/240V	100W	50Hz	HPS	REACTOR-NPF
<b>JWP70MH220/50PC-PK</b>	120/220/240V	70W	50Hz	MH	HX-HPF
<b>JWP100MH220/50PC-PK</b>	120/220/240V	100W	50Hz	MH	HX-HPF

## PRODUCT DIMENSIONS

Width	Height	Depth
<b>8 1/2"</b>	<b>9 1/2"</b>	<b>7"</b>