



# MEDIUM WALL PACK (WIRED)

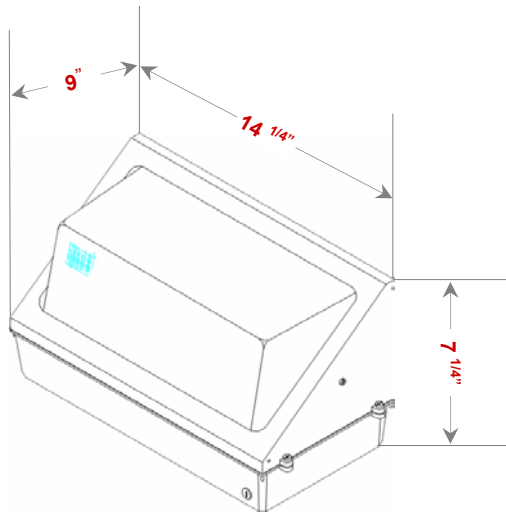


## CONSTRUCTION:

- Die Cast Bronze Housing and Lens Frame
- Hinged From Frame
- Heat Resistant Borosilicate Glass Reflector
- Includes porcelain medium base socket
- Includes Ballast & Lamp as shown

## APPLICATIONS

- Ideal for Security and Perimeter Lighting
- For Warehouse, Schools, Tunnels, and Shopping Complexes
- Commercial, Industrial, and Institutional Lighting



## ELECTRICAL CHARACTERISTICS

Model #	Voltage	Wattage	Hertz	Lamp Type	Ballast Type
<i>JWP70HPS120M-PK</i>	120V	70W	60Hz	HPS	REACTOR-NPF
<i>JWP100HPS120M-PK</i>	120V	100W	60Hz	HPS	REACTOR-NPF
<i>JWP150HPS120M-PK</i>	120V	150W	60Hz	HPS	REACTOR-NPF
<i>JWP150HPSQVM-PK</i>	Quad	150W	60Hz	HPS	REACTOR-NPF
<i>JWP50MHQVM-PK</i>	Quad	50W	60Hz	MH	HX-HPF
<i>JWP70MHQVM-PK</i>	Quad	70W	60Hz	MH	HX-HPF
<i>JWP100MHQVM-PK</i>	Quad	100W	60Hz	MH	HX-HPF
<i>JWP175MHQVM-PK</i>	Quad	175W	60Hz	MH	HX-HPF
<i>JWP70HPS220/50M-PK</i>	120/220/240V	70W	50Hz	HPS	REACTOR-NPF
<i>JWP100HPS220/50M-PK</i>	120/220/240V	100W	50Hz	HPS	REACTOR-NPF
<i>JWP150HPS220/50M-PK</i>	120/220/240V	150W	50Hz	HPS	REACTOR-NPF
<i>JWP50MH220/50M-PK</i>	120/220/240V	50W	50Hz	MH	HX-HPF
<i>JWP70MH220/50M-PK</i>	120/220/240V	70W	50Hz	MH	HX-HPF
<i>JWP100MH220/50M-PK</i>	120/220/240V	100W	50Hz	MH	HX-HPF
<i>JWP175MH220/50M-PK</i>	120/220/240V	175W	50Hz	MH	CWA-HPF

## PRODUCT DIMENSIONS

Width	Height	Depth
14 1/4"	9"	7 1/4"