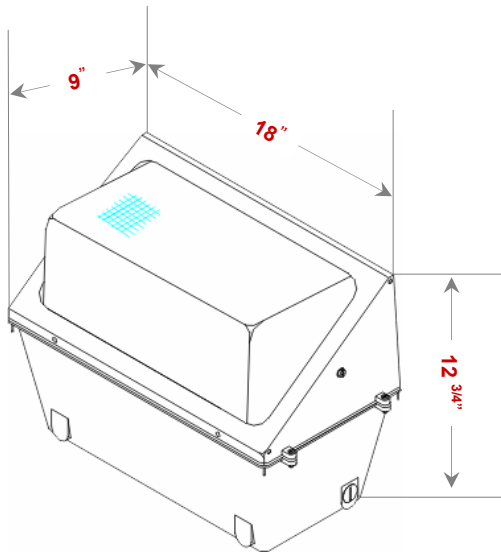




# LARGE HID DEEP WALL PACK (WIRED)



## CONSTRUCTION:

- Die Cast Bronze Housing and Lens Frame
- Hinged From Frame
- Heat Resistant Borosilicate Glass Reflector
- Includes Porcelain Mogul Base Socket
- Includes Ballast & Lamp as shown

## APPLICATIONS:

- Ideal for Security and Perimeter Lighting
- For Warehouse, Schools, Tunnels, and Shopping Complexes
- Commercial, Industrial, and Institutional Lighting

## ELECTRICAL CHARACTERISTICS

Model #	Voltage	Wattage	Hertz	Lamp Type	Ballast Type
<b>JWP250HPSQVD-PK</b>	Quad	250W	60Hz	HPS	CWA-HPF
<b>JWP400HPSQVD-PK</b>	Quad	400W	60Hz	HPS	CWA-HPF
<b>JWP250MHQVD-PK</b>	Quad	250W	60Hz	MH	CWA-HPF
<b>JWP400MHQVD-PK</b>	Quad	400W	60Hz	MH	CWA-HPF
<b>JWP175MH220/50D-PK</b>	120/220/240V	175W	50Hz	MH	CWA-HPF
<b>JWP250HPS220/50D-PK</b>	120/220/240V	250W	50Hz	HPS	CWA-HPF
<b>JWP400HPS220/50D-PK</b>	120/220/240V	400W	50Hz	HPS	CWA-HPF
<b>JWP250MH220/50D-PK</b>	120/220/240V	250W	50Hz	MH	CWA-HPF
<b>JWP400MH220/50D-PK</b>	120/220/240V	400W	50Hz	MH	CWA-HPF

## PRODUCT DIMENSIONS

Width	Height	Depth
<b>18"</b>	<b>9"</b>	<b>12 3/4"</b>