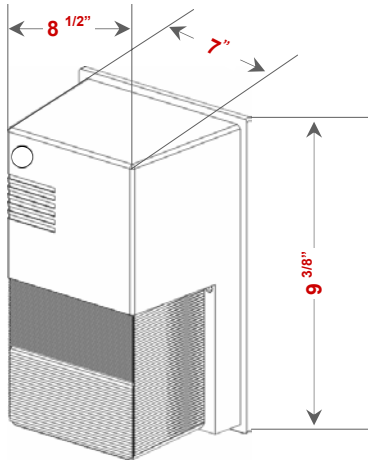




SMALL ENTRY LIGHT (WIRED) Polycarbonate Housing & Lens



OPTIONAL BUTTON-TYPE PHOTOCELL
AVAILABLE—ADD "/PC" FOR SUFFIX

CONSTRUCTION

- Polycarbonate Bronze Housing
- Heat Resistant Polycarbonate Reflector
- Stainless Steel Screws and Silicone Gasketing
- Includes porcelain medium base socket
- Includes Lamp & Ballast as shown

APPLICATION

- Ideal for Security and Perimeter Lighting
- For Warehouse, Schools, and Loading Docks
- Commercial, Industrial, and Institutional Lighting

ELECTRICAL CHARACTERISTICS

Model #	Voltage	Wattage	Hertz	Lamp Type	Ballast
JWL35HPS120PC-PK	120V	35W	60Hz	HPS	REACTOR-NPF
JWL50HPS120PC-PK	120V	50W	60Hz	HPS	REACTOR-NPF
JWL70HPS120PC-PK	120V	70W	60Hz	HPS	REACTOR-NPF
JWL100HPS120PC-PK	120V	100W	60Hz	HPS	REACTOR-NPF

PRODUCT DIMENSIONS

Width	Height	Depth
8 1/2"	9 3/8"	7"