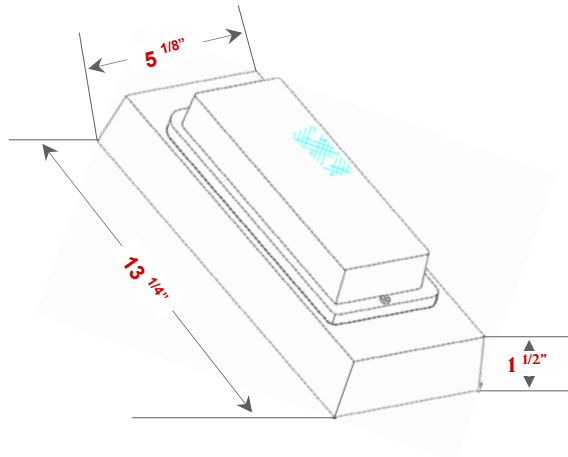




DIE CAST MINI ENTRY LIGHT



CONSTRUCTION

- Die Cast Housing
- Injected Molded Polycarbonate Diffuser
- Powder Coated Architectural Bronze Finish
- Includes Lamp & ballast

APPLICATION

- Ideal for Lighting Walkways, Entrances, and Garages.
- For Use in Stairways, Recreational Areas, and Hallways
- UL Listed for Wet Location

ELECTRICAL CHARACTERISTICS

Model #	Voltage	Wattage	Lamp Type	Ballast Type
JEL35HPS120-PK	120V	35W	HPS	REACTOR-NPF
JEL50HPS120-PK	120V	50W	HPS	REACTOR-NPF

PRODUCT DIMENSIONS

Width	Height	Depth
5 1/8"	13 1/4"	1.5"