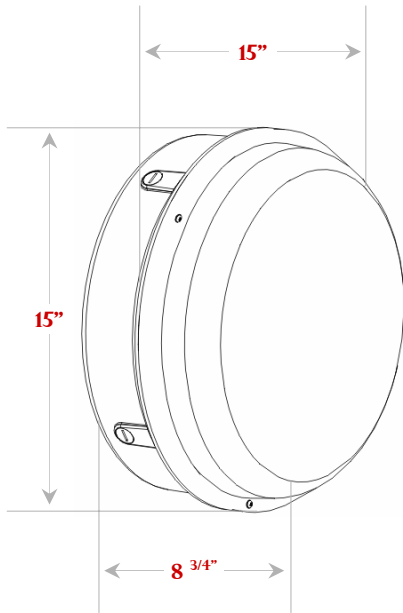




OPEN FRAME OVATION WALL PACK (WIRED)



CONSTRUCTION

- 15" Diameter Die Cast Surface Mount Housing
- Chromate Conversion Coating
- Coin plugs on sides and back
- Built-In Template for Mounting to Electrical Box
- Silicone Gasket
- White Powder Coat Aluminum Reflector
- Porcelain Medium or Mogul Base Socket with Adjustable Socket Bracket for Lamp Positioning
- Available with Either Clear Molded Prismatic Borosilicate Glass Lens or Borosilicate Frost Molded Glass Lens
- Lamp & Ballast Included as shown

APPLICATION

- Ideal for Security and Perimeter Lighting
- For Warehouse, Schools, and Loading Docks
- Commercial, Industrial, and Institutional Lighting

ELECTRICAL CHARACTERISTICS

Model #	Voltage	Wattage	Type	Ballast
<i>JOWPO70HPS120-PK</i>	120V	70W	HPS	REACTOR-NPF
<i>JOWPO100HPS120-PK</i>	120V	100W	HPS	REACTOR-NPF
<i>JOWPO150HPS120-PK</i>	120V	150W	HPS	REACTOR-NPF
<i>JOWPO70MH120-PK</i>	120V	70W	MH	REACTOR-NPF
<i>JOWPO100MHQV-PK</i>	Quad	100W	MH	HX-HPF
<i>JOWPO150MHQV-PK</i>	Quad	150W	MH	HX-HPF
<i>JOWPO175MHQV-PK</i>	Quad	75W	MH	CWA-HPF

PHYSICAL CHARACTERISTICS

Width	Height	Depth
15"	15"	8 3/4"