



SMALL ENTRY LIGHT (POLYCARBONATE HOUSING & LENS)



CONSTRUCTION

- Polycarbonate Bronze Housing
- Heat Resistant Polycarbonate Reflector
- Stainless Steel Screws and Silicone Gasketing
- Includes porcelain medium base socket

APPLICATION

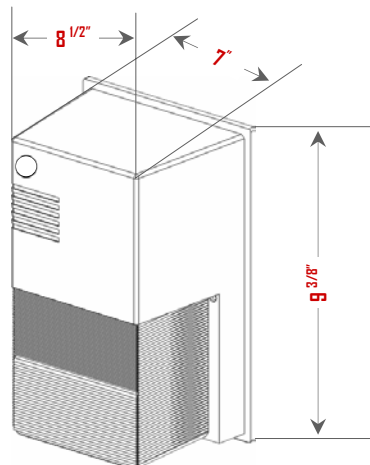
- Ideal for Security and Perimeter Lighting
- For Warehouse, Schools, and Loading Docks
- Commercial, Industrial, and Institutional Lighting

ELECTRICAL CHARACTERISTICS

Model#	Lens Type	Wattage (MH)	Wattage (HPS)
JWL130PC	Polycarbonate Lens	----	35-70W

Physical Characteristics

Width	Height	Depth
8 1/2"	9 3/8"	7"



**OPTIONAL BUTTON-TYPE PHOTOCELL
AVAILABLE—ADD "/PC" FOR SUFFIX**