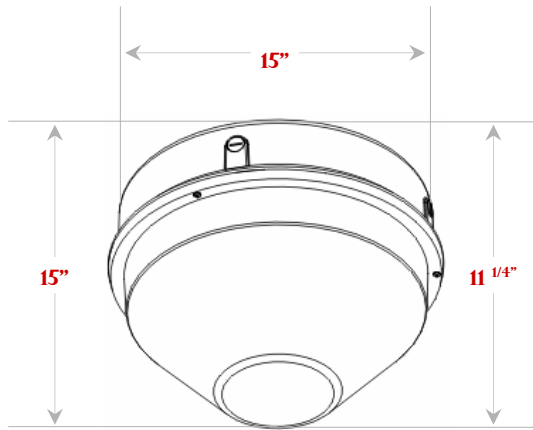




## VANDAL RESISTANT GARAGE LIGHTER



### CONSTRUCTION

- Die Cast Back Housing with Built-In Template for Mounting to an Electrical Box
- Chromate Conversion Coating
- Textured Bronze Finish
- Coin Plugs on Side and Back
- Extended Vandal Resistant Polycarbonate Lens
- Stainless Steel Screws, Gasket, Reflector, Pulse Start Medium Base Socket & Bracket
- Vertical lamp mount
- Lamp & Ballast Included as shown

### APPLICATION

- Ideal for Security and Perimeter Lighting
- For Warehouse, Schools, and Loading Docks
- Commercial, Industrial, and Institutional Lighting

### ELECTRICAL CHARACTERISTICS

Model#	Lens	Voltage	Wattage	Hertz	Lamp Type	Ballast Type
JGL175MHQV-PK	Clear Polycarbonate	Quad	175W	60Hz	MH	HX-HPF

### PHYSICAL CHARACTERISTICS

Width	Height	Depth
15"	15"	11 1/4"