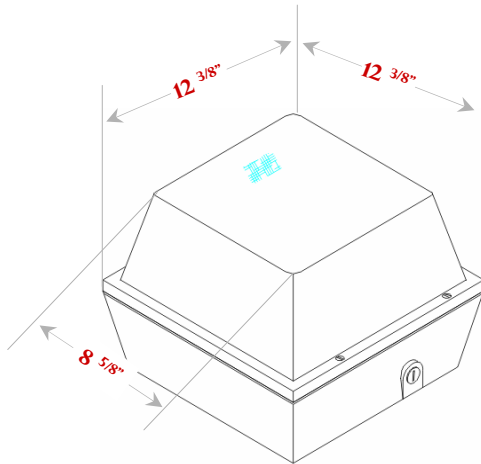




12" X 12" VANDAL RESISTANT SQUARE CANOPY (WIRED)



CONSTRUCTION

- Die Cast Housing & Chromate Conversion Coating
- Textured Bronze Finish
- Heat and UV Resistant Polycarbonate Lens
- Stainless Steel Screws (Fully Gasketed)
- Includes Porcelain Medium Base Socket
- Includes Lamp & Ballast

APPLICATION

- Ideal for Security and Perimeter Lighting
- For Warehouse, Schools, and Loading Docks
- Commercial, Industrial, and Institutional Lighting

ELECTRICAL CHARACTERISTICS

Model #	Voltage	Wattage	Hertz	Lamp Type	Ballast Type
JVR70HPS120L-PK	120V	70W	60Hz	HPS	REACTOR-NPF
JVR100HPS120L-PK	120V	100W	60Hz	HPS	REACTOR-NPF
JVR150HPS120L-PK	120V	150W	60Hz	HPS	REACTOR-NPF
JVR70MHQVL-PK	Quad	70W	60Hz	MH	HX-HPF
JVR100MHQVL-PK	Quad	100W	60Hz	MH	HX-HPF
JVR175MHQVL-PK	Quad	175W	60Hz	MH	CWA-HPF
JVR70HPS220/50L-PK	120/220/240V	70W	50Hz	HPS	REACTOR-NPF
JVR100HPS220/50L-PK	120/220/240V	100W	50Hz	HPS	REACTOR-NPF
JVR150HPS220/50L-PK	120/220/240V	150W	50Hz	HPS	REACTOR-NPF
JVR70MH220/50L-PK	120/220/240V	70W	50Hz	MH	HX-HPF
JVR100MH220/50L-PK	120/220/240V	100W	50Hz	MH	HX-HPF
JVR175MH220/50L-PK	120/220/240V	175W	50Hz	MH	CWA-HPF

PRODUCT DIMENSIONS

Width	Height	Depth
12"	12 1/2"	8 1/2"