

PHOTOMETRIC DATA



23" x 23" Floodlight Wired



JFL1000HPSQV-PK

Luminaire: Cast aluminum housing, Semi-Specular and Specular formed aluminum reflector, clear glass enclosure.

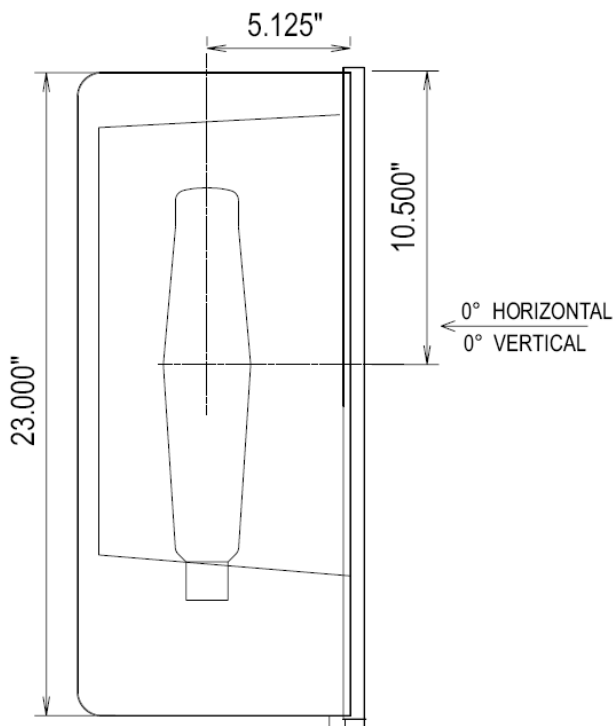
Lamps: One 1000 Watt E25 Clear HPS Rated at 140,000 Lumens

FLOODLIGHT CHARACTERISTICS

IES TYPE: 6H X 7V
 MAXIMUM CANDELA: 49137 at 5.0 Deg H; 0.0 Deg V
 BEAM SPREAD: 78.1 Deg Horiz
 FIELD SPREAD: 26.1 Deg Horiz (at 50% Max CD)
 85.8 Deg Vert (at 10% Max CD)
 133.4 Deg Vert

BEAM LUMENS:	54027	FIELD LUMENS:	89034	TOTAL LUMENS:	91420
Efficiency:	38.6%	Efficiency	63.6%	Efficiency	65.3%

FLOODLIGHT SKETCH



AXIAL CANDELA

Deg H	Candela	Deg V	Candela
85.0	209.	85.0	24.
75.0	709.	75.0	864.
65.0	2000.	65.0	6581.
55.0	16817.	55.0	14397.
45.0	21170.	45.0	23991.
35.0	26874.	35.0	35956.
25.0	31363.	25.0	46168.
15.0	41673.	15.0	48366.
5.0	49137.	5.0	48501.
0.0	48526.	0.0	48526.
		-5.0	48440.
		-15.0	47415.
		-25.0	41797.
		-35.0	30881.
		-45.0	20694.
		-55.0	13459.
		-65.0	4272.
		-75.0	518.
		-85.0	37.

ANGULAR DATA IS SHOWN WITH POLAR AXIS HORIZONTAL. THIS TEST WAS CONDUCTED IN ACCORDANCE WITH IES LM-35-1989 AND IS BASED ON THE RELATIVE METHOD OF PHOTOMETRY. TEST DISTANCE WAS 27 FEET.

PHOTOMETRIC DATA

JFL1000HPSQV-PK

CANDELA TABULATION AVERAGE OF LEFT & RIGHT SIDES

	0.0	5.0	15.0	25.0	35.0	45.0	55.0	65.0	75.0	85.0
85.0	24.	111.	198.	189.	236.	166.	112.	86.	47.	17.
75.0	864.	1112.	2170.	1212.	483.	368.	284.	254.	156.	52.
65.0	6581.	6929.	6030.	6524.	6415.	1006.	655.	387.	247.	86.
55.0	14397.	14356.	13430.	12269.	12853.	5841.	1304.	683.	334.	120.
45.0	23991.	24181.	22295.	19368.	16548.	15396.	2902.	1024.	400.	135.
35.0	35956.	36540.	31797.	24455.	20062.	18202.	6972.	1484.	508.	172.
25.0	46168.	46703.	39585.	28934.	24121.	18778.	13456.	1758.	606.	184.
15.0	48366.	48862.	41808.	30899.	26113.	20361.	15685.	1461.	666.	202.
5.0	48501.	49122.	41705.	31350.	26828.	21084.	16706.	1939.	705.	202.
0.0	48526.	49137.	41673.	31363.	26874.	21170.	16817.	2000.	709.	209.
-5.0	48440.	49004.	41514.	31208.	26686.	20961.	16669.	1927.	705.	209.
-15.0	47415.	47788.	40291.	30013.	25450.	19960.	15553.	1408.	667.	202.
-25.0	41797.	42135.	35352.	26956.	22874.	18124.	13252.	1680.	604.	190.
-35.0	30881.	30872.	27765.	22392.	18706.	17168.	6741.	1394.	499.	167.
-45.0	20694.	20481.	18921.	16827.	14593.	13765.	2695.	988.	399.	148.
-55.0	13459.	13524.	12653.	10995.	11173.	5187.	1227.	664.	345.	117.
-65.0	4272.	4407.	4522.	4535.	5345.	1002.	665.	400.	255.	88.
-75.0	518.	459.	875.	892.	539.	417.	317.	254.	156.	54.
-85.0	37.	117.	172.	191.	245.	159.	120.	86.	52.	18.

FIELD EDGE = 4914. Candela = 10% of Max CD

PHOTOMETRIC DATA

JFL1000HPSQV-PK

LUMEN TABULATION AVERAGE OF LEFT & RIGHT SIDES

	0	10	20	30	40	50	60	70	80	90	TOTAL
90		3.	6.	5.	6.	4.	2.	1.	0.	0.	27.
80		34.	64.	33.	12.	8.	5.	3.	1.	0.	160.
70		210.	177.	180.	160.	22.	11.	5.	2.	0.	767.
60		435.	395.	338.	320.	126.	23.	9.	3.	0.	1648.
50		733.	655.	534.	412.	331.	51.	13.	3.	0.	2733.
40		1107.	934.	674.	500.	392.	122.	19.	4.	0.	3753.
30		1415.	1163.	798.	601.	404.	235.	23.	5.	0.	4644.
20		1481.	1229.	852.	651.	438.	274.	19.	5.	1.	4948.
10		1489.	1226.	864.	669.	454.	292.	25.	6.	1.	5023.
0		1485.	1220.	860.	665.	451.	291.	25.	6.	1.	5003.
-10		1448.	1184.	828.	634.	429.	271.	18.	5.	1.	4819.
-20		1277.	1039.	743.	570.	390.	231.	22.	5.	1.	4277.
-30		936.	816.	617.	466.	369.	118.	18.	4.	0.	3344.
-40		621.	556.	464.	364.	296.	47.	13.	3.	0.	2364.
-50		410.	372.	303.	278.	112.	21.	9.	3.	0.	1508.
-60		134.	133.	125.	133.	22.	12.	5.	2.	0.	565.
-70		14.	26.	25.	13.	9.	6.	3.	1.	0.	97.
-80		4.	5.	5.	6.	3.	2.	1.	0.	0.	27.
-90		13235.	11199.	8250.	6461.	4258.	2012.	230.	58.	6.	45710.

1/2 LUMEN TOTAL = 45710.

PHOTOMETRIC DATA

JFL1000HPSQV-PK

LUMEN TABULATION—FIELD ONLY AVERAGE OF LEFT & RIGHT SIDES

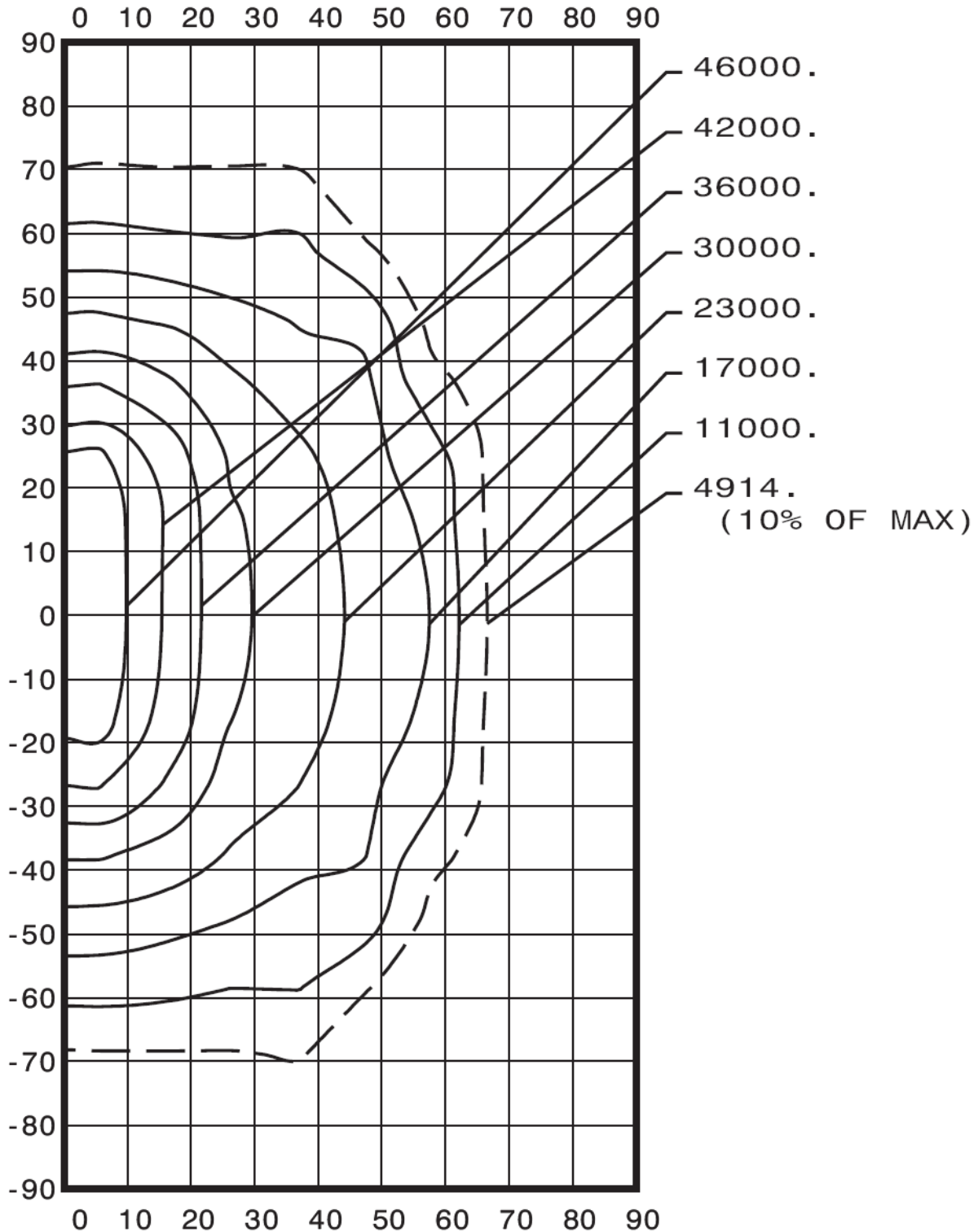
	0	10	20	30	40	50	60	70	80	90	TOTAL
90											0.
80											0.
70											727.
60	210.	177.	180.	160.							1614.
50	435.	395.	338.	320.	126.						2666.
40	733.	655.	534.	412.	331.						3729.
30	1107.	934.	674.	500.	392.	122.					4616.
20	1415.	1163.	798.	601.	404.	235.					4924.
10	1481.	1229.	852.	651.	438.	274.					4992.
0	1489.	1226.	864.	669.	454.	292.					4972.
-10	1485.	1220.	860.	665.	451.	291.					4795.
-20	1448.	1184.	828.	634.	429.	271.					4250.
-30	1277.	1039.	743.	570.	390.	231.					3322.
-40	936.	816.	617.	466.	369.	118.					2301.
-50	621.	556.	464.	364.	296.						1475.
-60	410.	372.	303.	278.	112.						133.
-70				133.							0.
-80											0.
-90											0.
	13047.	10965.	8056.	6424.	4191.	1833.	0.	0.	0.		44517.

1/2 LUMEN TOTAL = 44517.

PHOTOMETRIC DATA

JFL1000HPSQV-PK

ISOCANDELA CURVES AVERAGE OF LEFT & RIGHT SIDES



PHOTOMETRIC DATA

JFL1000HPSQV-PK

AXIAL CANDELA PLOTS

