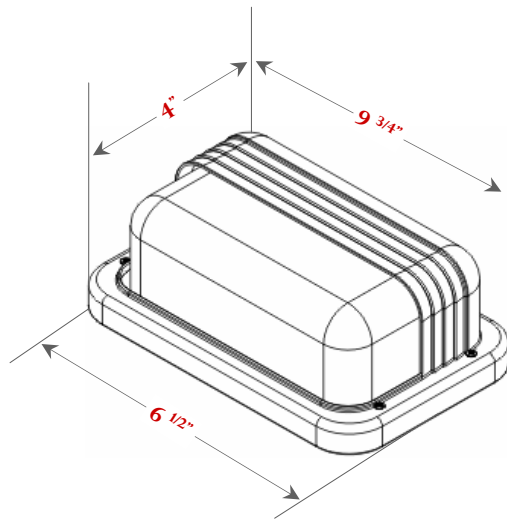




# COMPACT FLUORESCENT HALF RECTANGULAR BULKHEAD



## CONSTRUCTION

- Die Cast Housing and Frame
- Ballast Bracket, Ballast, Socket Bracket, Socket, and Lamp Included
- White Powder coat finish (other colors available by special order)
- Wired Complete with Compact Fluorescent Lamp and Magnetic Ballast

## APPLICATION

- Accent, Perimeter, Security Lighting
- Ideal for Signage, Façade, and Landscape Lighting
- General Purpose Commercial and Industrial Floodlight

## ELECTRICAL CHARACTERISTICS

Model #	Voltage	Wattage	Hertz	Lumens	Ballast Type
<b>JBH2/9CFL120HREC-PK</b>	120V	2x9W 2-Pin Compact Fluorescent GX23/ GX23-2	60Hz	1200	Magnetic

## PHYSICAL CHARACTERISTICS

Width	Height	Depth
9 3/4"	6 1/2"	4"