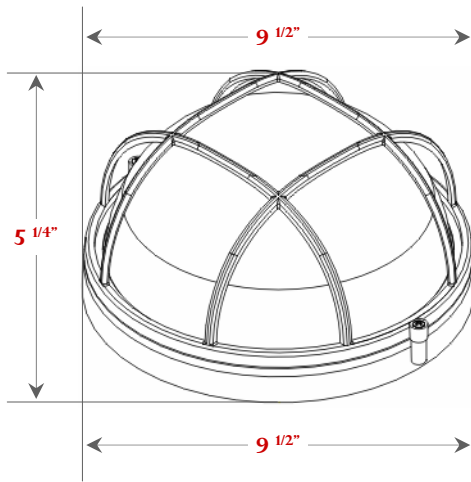




COMPACT FLUORESCENT ROUND BULKHEAD



CONSTRUCTION

- Die Cast Housing and Frame
- Ballast Bracket, Ballast, Socket Bracket, Socket, and Lamp Included
- White Powder coat finish (other colors available by special order)
- Wired Complete with Compact Fluorescent Lamp and Magnetic Ballast

APPLICATION

- Accent, Perimeter, Security Lighting
- Ideal for Signage, Façade, and Landscape Lighting
- General Purpose Commercial and Industrial Floodlight

ELECTRICAL CHARACTERISTICS

Model #	Voltage	Wattage	Hertz	Lumens	Ballast Type
JBH2/13CFL120FR-PK	120V	2x13W 2-Pin Compact Fluorescent GX23/ GX23-2	60Hz	1720	Magnetic

PHYSICAL CHARACTERISTICS

Width	Height	Depth
9 1/2"	9 1/2"	5 1/4"