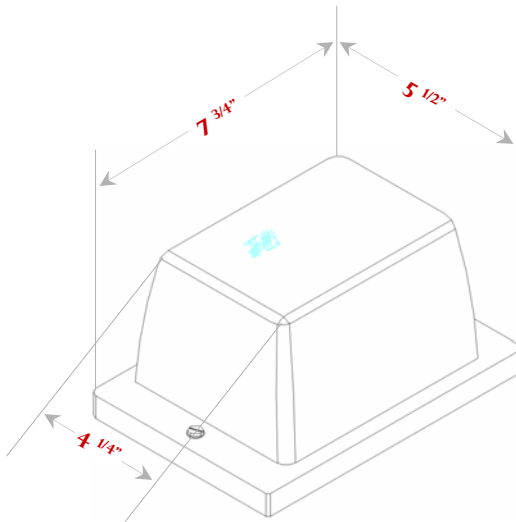




# COMPACT FLUORESCENT 5" X 8" VANDAL RESISTANT SQUARE CANOPY



## CONSTRUCTION

- Die Cast Aluminum Housing
- Heat and UV Resistant Polycarbonate Lens
- Stainless Steel Screws (Fully Gasketed)
- Includes Porcelain Medium Base Socket
- Includes Steel Pan, Foil Reflector & Fiber Pad
- Includes Compact Fluorescent Lamp and Electronic Ballast

## APPLICATION

- Ideal for Security and Perimeter Lighting
- For Warehouse, Schools, and Loading Docks
- Commercial, Industrial, and Institutional Lighting

## ELECTRICAL CHARACTERISTICS

Model #	Voltage	Wattage	Hertz	Lumens	Ballast Type
<b>JVR13CFL120-PK</b>	120V	1x13W 2-Pin Compact Fluorescent GX23/ GX23-2	60Hz	860	Magnetic

## PHYSICAL CHARACTERISTICS

Width	Height	Depth
7 3/4"	5 1/2"	4 1/4"