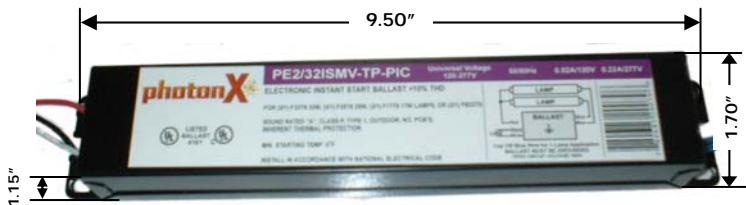




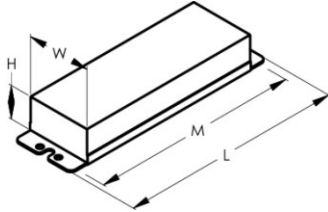
ELECTRONIC FLUORESCENT BALLAST

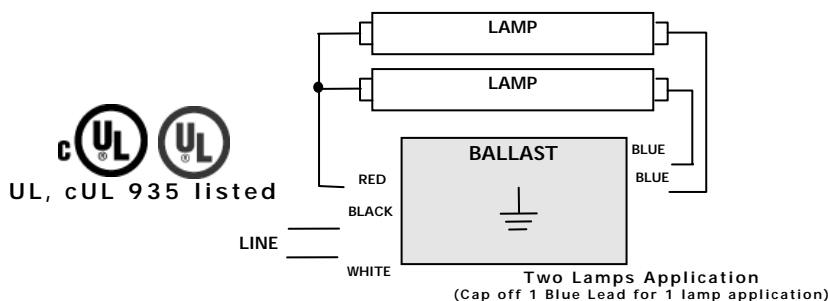
PE2/32ISMV-TP-PIC



Ballast Type:	Electronic
Starting Method:	Instant Start
Lamp Connection:	Parallel
Input Voltage:	120~277Vac ± 10%
Input Frequency:	50Hz / 60Hz

Lamp Type	No. of Lamp	Volts	Input Watts	Input Current (Amps)	Power Factor	Crest Factor	Ballast Factor	Ballast Efficacy Factor	Max. THD %
F40T8	1	120	44	0.37	0.99	1.44	1.00	2.27	10
		277	44	0.16	0.99	1.52	1.00	2.27	10
F32T8	2	120	60	0.50	0.99	1.51	0.88	1.47	10
		277	60	0.22	0.99	1.51	0.88	1.47	10
	1	120	38	0.32	0.98	1.49	1.15	3.03	12
		277	38	0.14	0.97	1.49	1.15	3.03	12
U-BENT MODELS FB32T8 FB31T8	2	120	60	0.50	0.99	1.51	0.88	1.47	10
		277	60	0.22	0.99	1.51	0.88	1.47	10
	1	120	38	0.32	0.98	1.49	1.15	3.03	12
		277	38	0.14	0.97	1.49	1.15	3.03	12
F25T8	2	120	47	0.39	0.99	1.53	0.88	1.91	10
		277	47	0.17	0.99	1.53	0.88	1.91	10
	1	120	31	0.26	0.98	1.48	1.15	3.71	12
		277	31	0.11	0.96	1.48	1.15	3.71	12
F17T8	2	120	33	0.28	0.98	1.54	0.90	2.73	12
		277	33	0.12	0.97	1.4	0.90	2.73	12
	1	120	22	0.19	0.98	1.52	1.20	5.45	12
		277	22	0.09	0.96	1.52	1.20	5.45	15

PERFORMANCE	PHYSICAL DIMENSIONS	LEAD LENGTH:
<ul style="list-style-type: none"> Sound Rated: A—OCV: 600V Minimum Starting Temperature: 0°F, -18°C Maximum Case Temperature: 167°F, 75°C Meets FCC Part 18 (Class B) Consumer Limits Transient Protection meets ANSI/IEEE C62.41 Cat. A Ballast Frequency for all Listed Lamps: 20KHz-33KHz 5-Year Warranty 	<p>Length (L): 9.50" Width (W): 1.70" Height (H): 1.15" Mounting (M): 8.90"</p> 	<p>White: 25" Black: 25" Blue: 31" x 31" Red: 37"</p>



WIRING DIAGRAM & HOT SPOT LOCATION

